



INSTALLATION INSTRUCTIONS

Freestanding Bath Mixer



Important:

- Read all the instructions before installing.
- Read and understand all warnings, care and maintenance information

PLEASE CAREFULLY READ THIS INSTRUCTION MANUAL BEFORE INSTALLING AND USING THE PRODUCT.

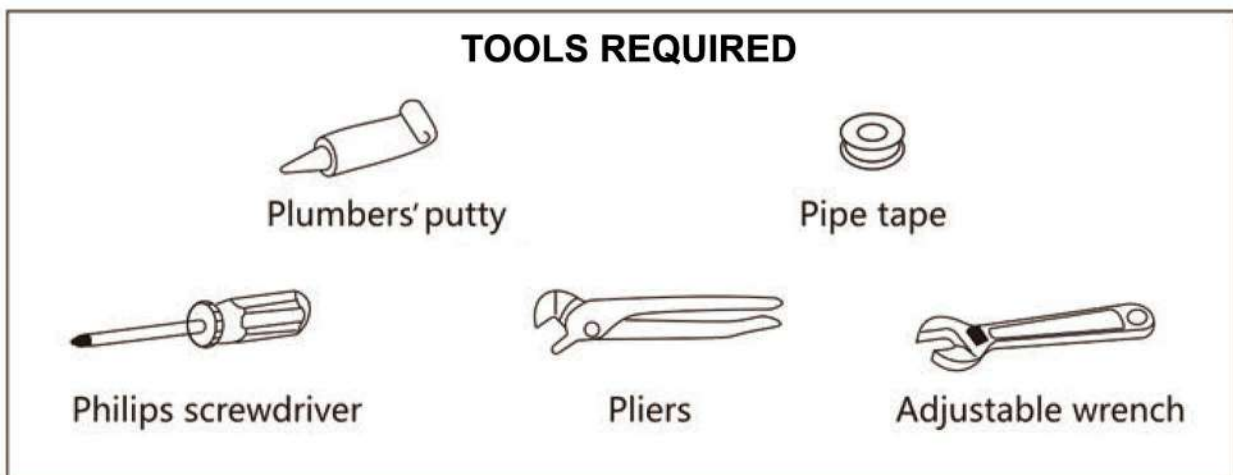
PLEASE KEEP THIS INSTRUCTION MANUAL FOR FUTURE REFERENCE.

- Mixer must be installed by a licensed plumber
- Flush all plumbing prior to connecting the mixer
- Install with pressure limiting valves and accessible isolating stop cocks
- Maximum water temperature 55°C
- Ideal operating pressure: 100 kpa to 500kpa
- Not recommended for gravity feed systems

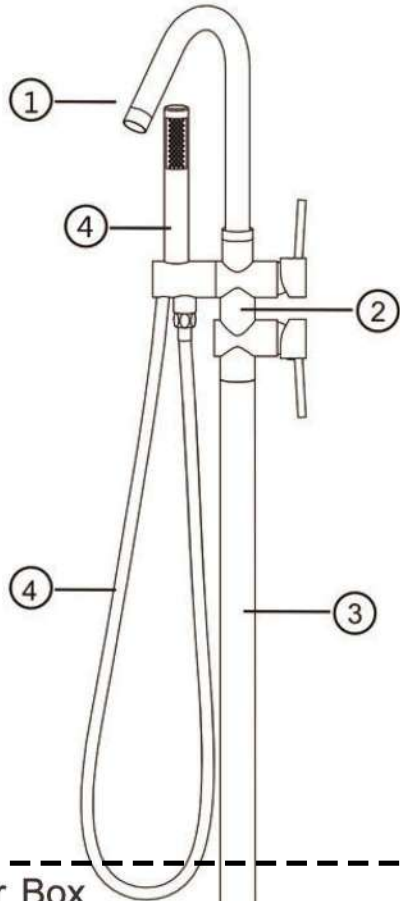
Cleaning and Care

Care should be exercised when cleaning this product. Although its finish is durable, it can be damaged from abrasives and cleaning pads. To clean, use a light non-abrasive cleaning solution or cleaning polish.

- Do not use solvents, alcohol, chemicals or abrasives as they may irreparably damage the product surface
- Wash with soapy water and dry with a soft cloth
- For servicing, contact supplier



Product Diagram & Parts



Accessory List:

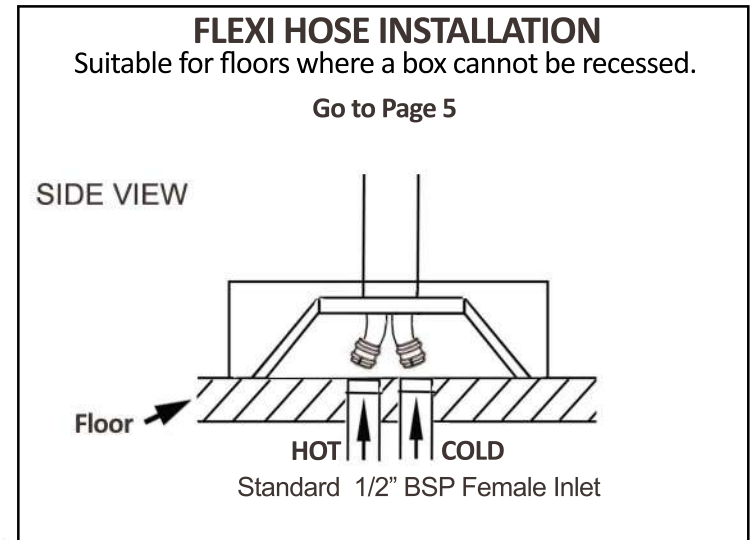
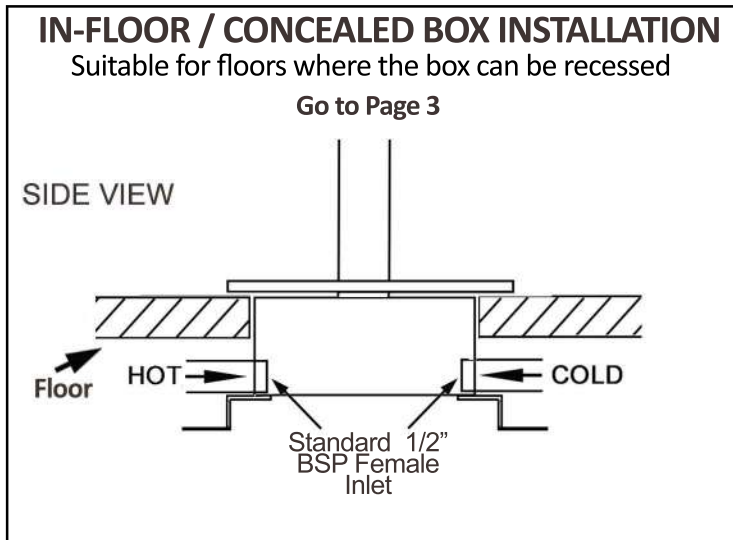
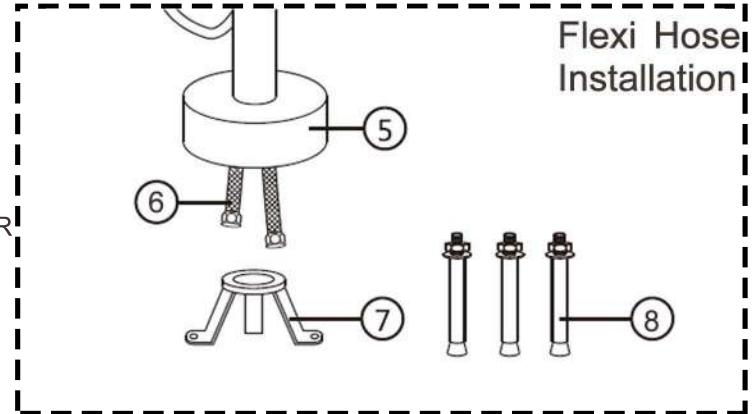
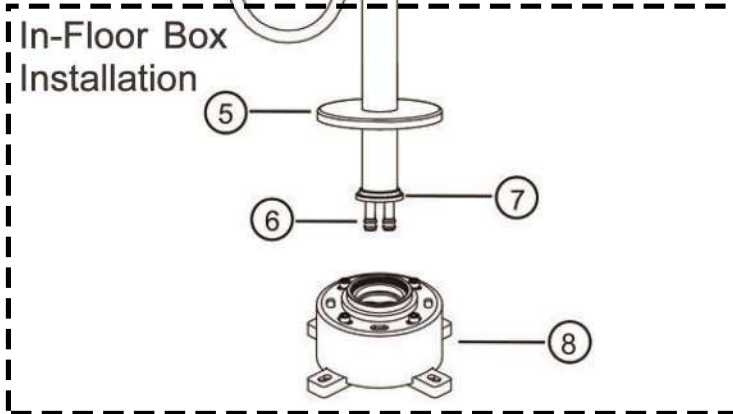
1. Bath mixer spout
2. Body
3. Standing Tube
4. Hand shower and hose (selected models)

In-Floor Box

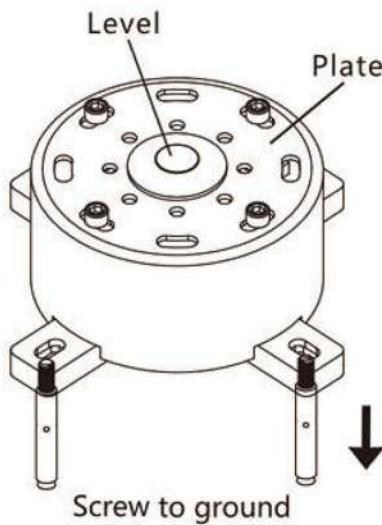
5. Cover Plate (low profile)
6. Metal water pipe x 2
7. Threaded collar
8. Conceal box

Flexi Hose

5. Cover Plate (high profile)
6. Flexi-hose x 2
7. Floor bracket
8. Anchor bolts



1. In-floor box installation



1a. Prepare suitable recess in the floor to house the in-floor box with accessible hot and cold water supply inputs.

1b. Install the in-floor box with the top of the in-floor box level with the planned finished floor.

*Position the in-floor box to align with the water supply inputs and to provide the desired final spout position of the installed mixer (see step 2 for mixer setup). If necessary temporarily remove cover plate to observe position of the outlet ports that the metal water pipes of the mixer insert into (see step 3c).

Masonry anchors are provided to assist if mounting to concrete. Adjust the level of the box until the spirit level in the centre shows it is perfectly level, and then affix securely.

1c. Installing plumber must connect the hot and cold water inputs to the standard ½" BSP threaded female inlets.

1d. Retain cover plate and level indicator on the installed box to protect plumbing from further building works and to provide a level measurement check before mixer installation.

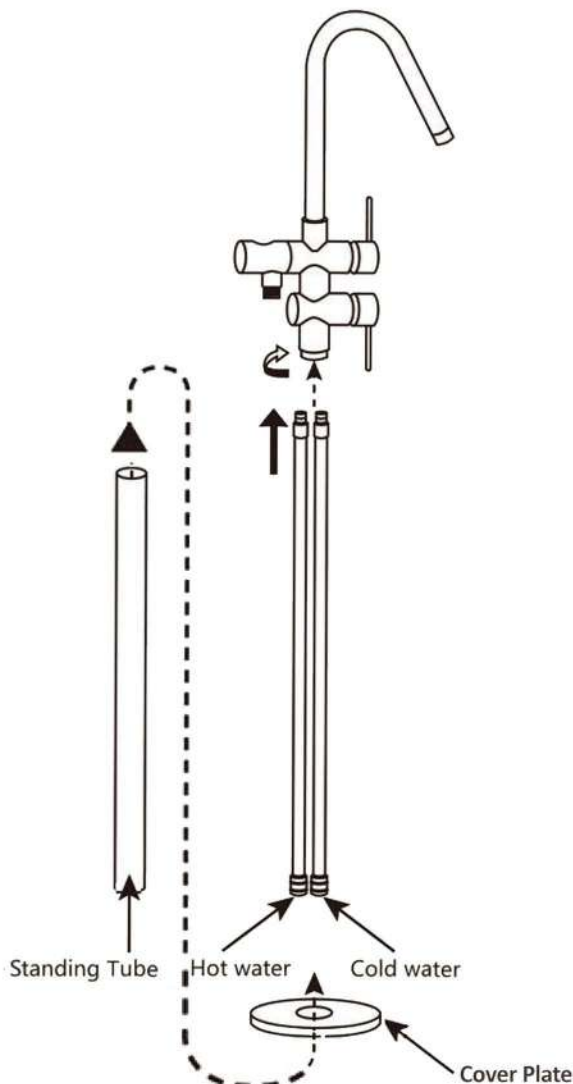
2. Mixer Setup

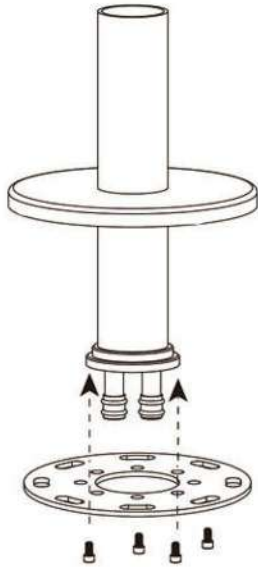
2a. Connect hot and cold water supply pipes securely into the base of the mixer head

2b. Slide the outer tube over the water supply pipes and twist tightly onto mixer head

2c. Slide floor cover plate over the outer tube

2d. Screw brass base threaded collar securely onto the base of the outer tube.



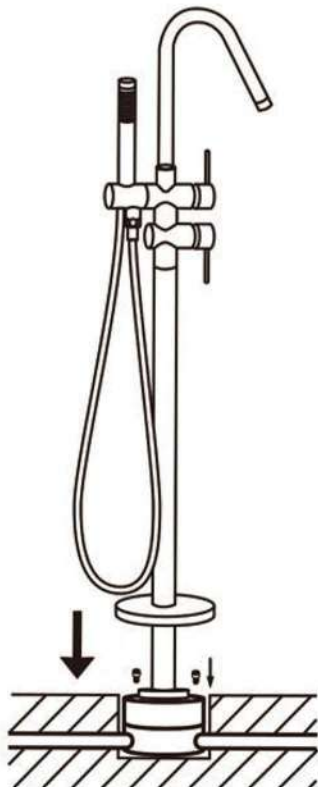
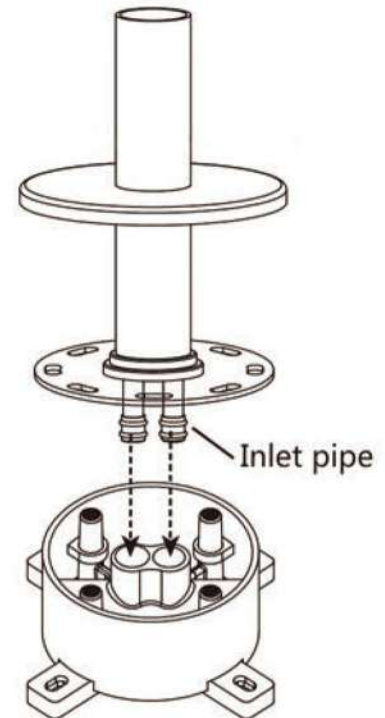


3. Mixer installation

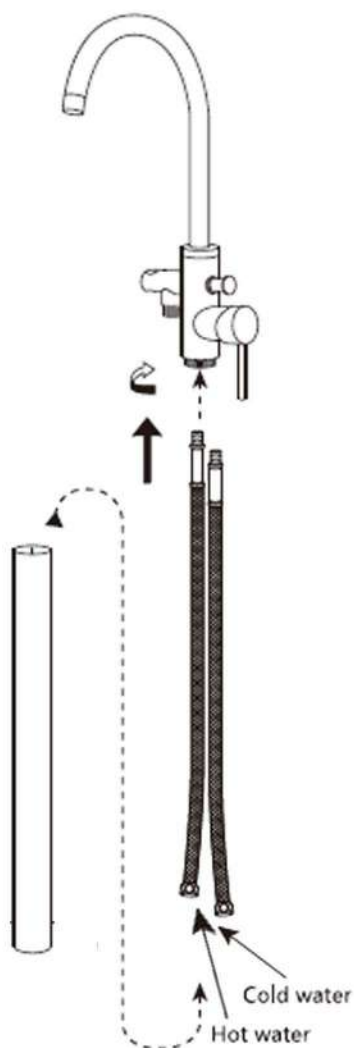
3a. Remove the circular metal cover with the level indicator from in-floor box by removing the 4 hex bolts. Remove the plastic centre protective disc with the level indicator.

3b. Bolt the circular metal cover from in-floor box to the underside of the brass threaded collar at the base of the mixer tube using supplied hex bolts.

3c. Remove the protective plastic inlet plug from in-floor box. Insert the hot and cold inlet pipes securely into the outlet ports of the in-floor box.



3d. Bolt the in-floor circular metal cover securely back onto the top of the in-floor box. Slide the floor cover plate down to conceal the in-floor box.

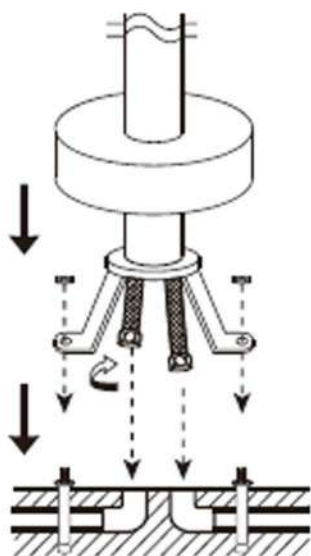


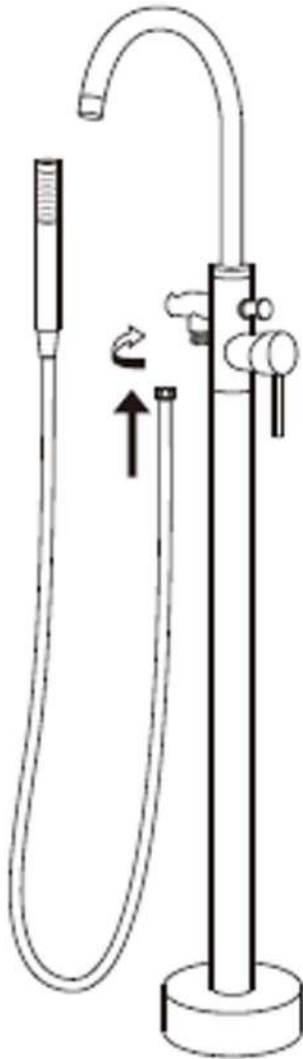
1. Floor connection setup

- 1a. Pre-install hot and cold supply lines to protrude from the floor to connect to the ½" BSP threaded female connectors on the mixer's input flexi-hoses.

2. Mixer setup

- 2a. Connect hot and cold flexi-hose into the base of the mixer head.
- 2b. Slide the outer tube over the flexi-hoses and secure tightly onto the mixer head.
- 2c. Slide floor cover plate (high profile) onto the outer tube
- 2d. Screw brass fixing feet threaded bracket to the base of outer tube





3. Mixer installation

- 3a. Installing plumber must connect the hot and cold water inputs to the ½" BSP standard connectors on the flexi-hoses.
- 3b. Securely affix the fixing feet bracket to the floor with suitable fixings to position the spout in the desired direction.
- 3c. Slide the floor cover plate down to conceal the floor bracket and hose connections.