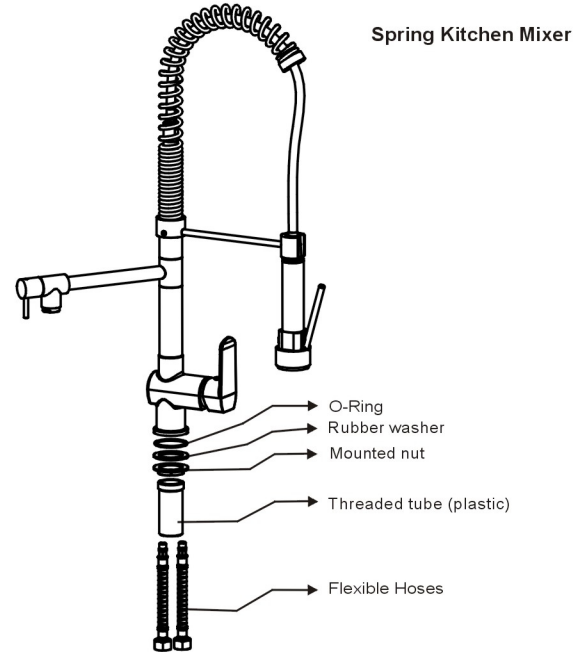




INSTALLATION MANUAL

Thank you for purchasing our high quality product!

SPRING KITCHEN MIXER



INSTALLATION INSTRUCTIONS

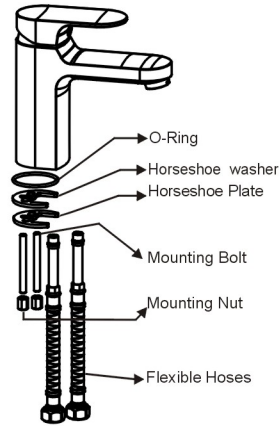
1. Place O Ring Washer over the hole in kitchen countertop where the mixer is to be installed;
2. Fit the mixer body onto the kitchen hole;
3. Place the rubber washer on top of the mounted nut, screw the threaded tube onto the mixer, tighten it by hand;
4. Install the flexible hoses now and ensure the flexible hoses are hand tightened into place (DO NOT USE SPANNER TO TIGHTEN AS IT CAN DAMAGE THE O RING). The flexible hoses are to be fitted into the correct inlets for hot water and for cold water (Red band for hot and blue band for cold)
5. It is important to flush out the supply pipes before installing the mixer and connecting the flexible hoses to hot / cold water supply, regardless whether a stop valve and filter has been installed or not. This procedure will prevent foreign particles from damaging the ceramic cartridge.

WARRANTY TERMS

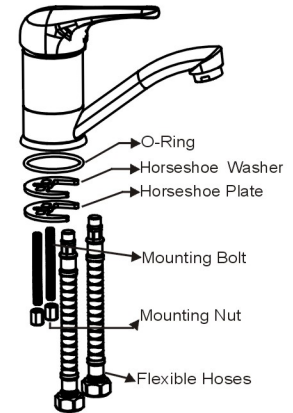
All products are guaranteed as follows:

- 1.5 years guarantee against casting defaults and porosity;
- 2.3 years guarantee against cartridge and valve defaults;
- 3.12 months guarantee on washers and O rings;
- 4.12 months guarantee on finish.

BASIN OR KITCHEN MIXER



Basin Mixer



Kitchen Mixer

INSTALLATION INSTRUCTIONS

1. Place O Ring Washer over the hole in kitchen / basin where the mixer is to be installed;
2. Fit the mixer body onto the kitchen/basin hole;
3. Place the horseshoe washer on top of the horseshoe plate and fit it onto the mounting bolt by using the mounting nut to tighten up the mixer from the underneath of the kitchen/basin;
4. Install the flexible hoses now and ensure the flexible hoses are hand tightened into place (DO NOT USE SPANNER TO TIGHTEN AS IT CAN DAMAGE THE O RING). The flexible hoses are to be fitted into the correct inlets for hot water and for cold water (Red band for hot and blue band for cold)
5. It is important to flush out the supply pipes before installing the mixer and connecting the flexible hoses to hot / cold water supply, regardless whether a stop valve and filter has been installed or not. This procedure will prevent foreign particles from damaging the ceramic cartridge.

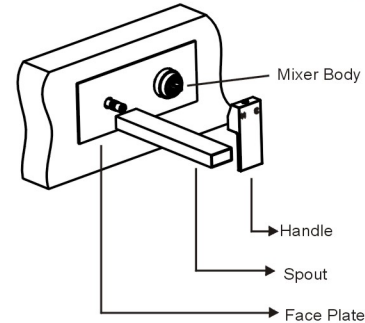
WARRANTY TERMS

All products are guaranteed as follows:

- 1.5 years guarantee against casting defaults and porosity;
- 2.3 years guarantee against cartridge and valve defaults;
- 3.12 months guarantee on washers and O rings;
- 4.12 months guarantee on finish.

WALL BASIN MIXER

Wall Basin Mixer



INSTALLATION INSTRUCTIONS

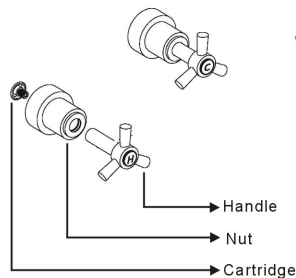
1. Fix the body on the wall and connect the hot and cold hose;
2. Clean the wall and take care of the surface of the mixer;
3. Install the cover plate over the mixer body;
4. Install the handle on the cartridge and fix it up with screw;
5. Install the spout on the outlet and fix it up with screw.

WARRANTY TERMS

All products are guaranteed as follows:

- 1.5 years guarantee against casting defaults and porosity;
- 2.3 years guarantee against cartridge and valve defaults;
- 3.12 months guarantee on washers and O rings;
- 4.12 months guarantee on finish,

WALL TOP ASSEMBLIES



Wall Top Assemblies

INSTALLATION INSTRUCTIONS

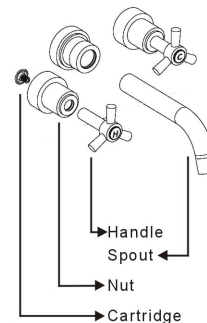
1. Install the cartridge onto the cartridge base which in the wall and lock torque 10-12 Nm;
2. Install the cartridge cover and lock torque 30-50Nm;
3. Install the nut;
4. Install the handle and lock the screw.

WARRANTY TERMS

All products are guaranteed as follows:

1. 5 years guarantee against casting defaults and porosity;
2. 3 years guarantee against cartridge and valve defaults;
3. 12 months guarantee on washers and O rings;
4. 12 months guarantee on finish.

BATH SET



Bath Set

INSTALLATION INSTRUCTIONS

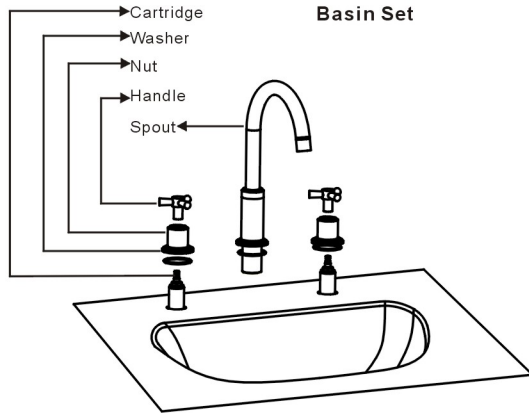
1. Install the cartridge onto the cartridge base which in the wall and lock torque 10-12 Nm;
2. Install the cartridge cover and lock torque 30-50Nm;
3. Install the nut;
4. Install the handle and lock the screw.
5. Install the spout .

WARRANTY TERMS

All products are guaranteed as follows:

1. 5 years guarantee against casting defaults and porosity;
2. 3 years guarantee against cartridge and valve defaults;
3. 12 months guarantee on washers and O rings;
4. 12 months guarantee on finish.

BASIN SET



INSTALLATION INSTRUCTIONS

1. Install the body, cartridge and connecting tube which with plastic nut and gasket on the basin/Sink,
2. Install the washer and cover nut;
3. Install the two handles and lock them with screws;
4. Install the spout.

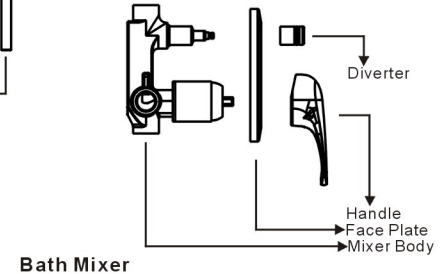
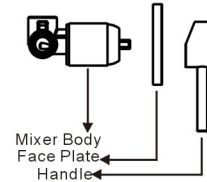
WARRANTY TERMS

All products are guaranteed as follows:

- 1.5 years guarantee against casting defaults and porosity;
- 2.3 years guarantee against cartridge and valve defaults;
- 3.12 months guarantee on washers and O rings;
- 4.12 months guarantee on finish.

SHOWER MIXER OR BATH MIXER

Shower Mixer



INSTALLATION INSTRUCTIONS

1. Mount the mixer body into the wall, connect the body with the inlet and outlet pipes;
2. Install the faceplate onto the protective cylinder;
3. Put the fixing washer on the faceplate, install the diverter onto the mixer body and tighten with a spanner.
4. Fix the handle

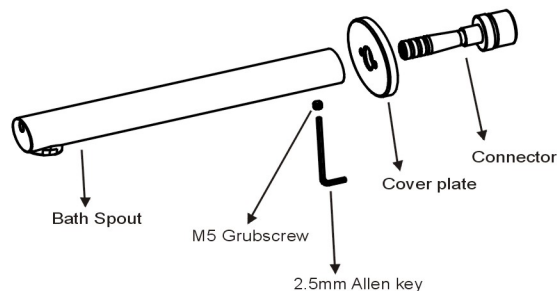
WARRANTY TERMS

All products are guaranteed as follows:

- 1.5 years guarantee against casting defaults and porosity;
- 2.3 years guarantee against cartridge and valve defaults;
- 3.12 months guarantee on washers and O rings;
- 4.12 months guarantee on finish.

BATH SPOUT

Bath Spout



INSTALLATION INSTRUCTIONS

Install the spout into the wall with rotation.

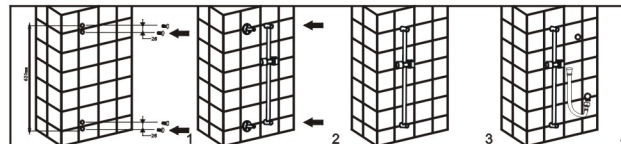
WARRANTY TERMS

All products are guaranteed as follows:

- 1.5 years guarantee against casting defaults and porosity;
- 2.12 months guarantee on finish.

SHOWER SET

Shower Set



INSTALLATION INSTRUCTIONS

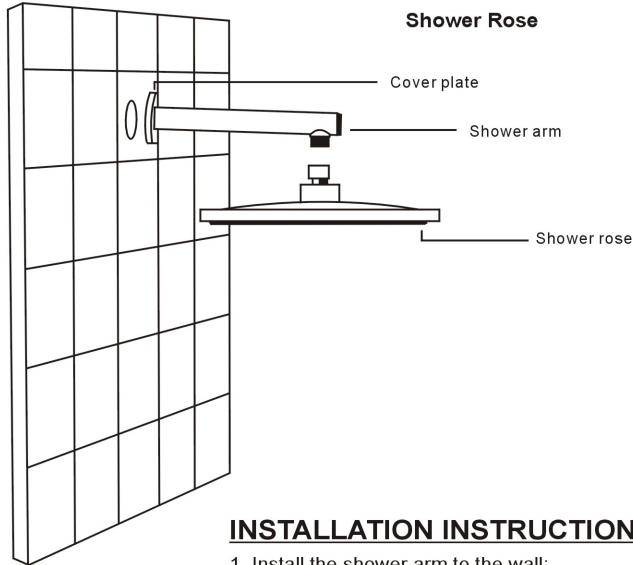
1. Mark and drill holes according to the dimensions of the product you purchase;
Holes: DIA 6mm Depth 20mm. (RECOMMENDED)
Insert wall anchors into the holes.
 2. Screw both wall brackets onto the wall;
 3. Attach the sliding bar onto wall bracket;
 4. Install the elbow to the wall then connect the hose and shower head.
- Please be careful during installation.
Avoid scratching the shower set.

WARRANTY TERMS

All products are guaranteed as follows:

1. 3 years guarantee on shower rails;
2. 2 years guarantee on shower head;
3. 12 months guarantee on accessories and hose;
4. 12 months guarantee on finish.

SHOWER ROSE



INSTALLATION INSTRUCTIONS

1. Install the shower arm to the wall;
2. Install the shower rose to the shower arm.

WARRANTY TERMS

All products are guaranteed as follows:

1. 5 years guarantee on shower arm;
2. 2 years guarantee on shower rose;
3. 12 months guarantee on finish.

GENERAL INFORMATION

This product must be installed by a qualified plumber.

Not suitable for use with gravity-fed systems.

To ensure optimum performance and customer satisfaction please adhere to the following:

Flush out all pipe work prior to installation.

Installation should comply with Australian standard AS3500.1:2003 or relevant local authority requirements.

-Maximum hot water temperature 75°C.

-Recommended minimum working pressure 150kPa.

-Recommended maximum working pressure 500kPa.

If the water pressure exceeds or is likely to exceed 500kPa, an approved pressure limiting valve must be fitted.

If the water temperature exceeds 75°C, an approved tempering valve must be fitted.

Maintenance and Care

Chrome plated surfaces should be regularly cleaned with mild liquid detergent or soap and water.

Do not use cream cleaners, as they are abrasive or bleaches.

Do not use cleaning agents containing a corrosive acid or scouring agent.

Use of unsuitable cleaning agents may damage the surface. Any damage caused in this way will not be covered by warranty.

Failure to comply with the above may avoid all warranties.

This Warranty covers only manufacturing defects and is limited to free replacement of products or components. (exclude consequential losses)