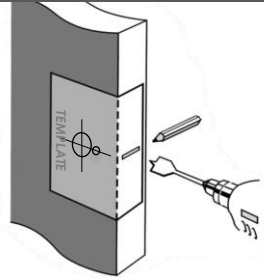
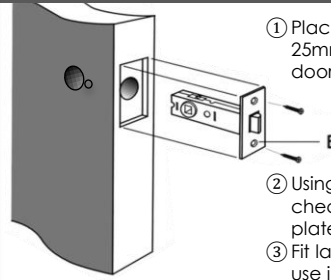


Step 1: Preparation



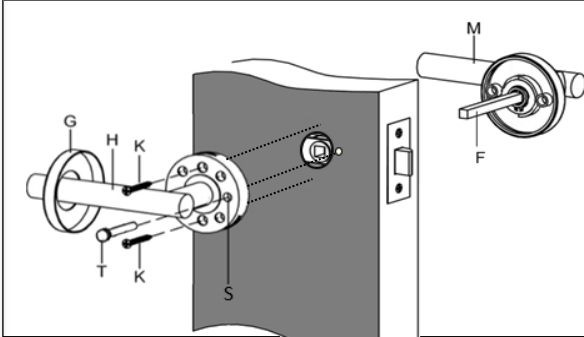
- 1 Cut template on LINE (A) and fold on LINE (B) – see below
- 2 Tape template on door at preferred height. Use pencil to mark height of latch at (C) and centre of drill holes
- 3 Drill 25mm latch hole in centre of door edge using 25mm spade drill to an 75mm depth (important to drill accurately and squarely)
- 4 Drill door front holes (D) as per template (including 2mm pilot holes for desired number of fixing screws)

Step 2: Install Latch



- 1 Place latch with cover plate (E) into 25mm hole on door edge and mark door accurately around the plate
- 2 Using a hammer and sharp chisel, check out the timber so latch cover plate fits flush with door
- 3 Fit latch and drill 2mm pilot holes and use included screws to fit

Step 3: Installing Lever Assembly to the Door



- 1 Remove cover plates (G) from each handle inner rose (if necessary)
- 2 Insert lever handle (M) with spindle (F) through the door (option: use the supplied optional split-spindle to allow the inner handle to move independently of the outer handle)
- 3 Place other lever handle (H) onto the spindle
- 4 Now insert the privacy pin (T) through the inner rose hole (S) from the inside of the door and lightly screw into the latch to align handle (H)
- 5 Screw in the desired number of timber fixing screws (K) to the door
- 6 Tighten the grub screw on the underside of each handle with the supplied hex key to secure handles firmly to spindle
- 7 Unscrew and remove privacy pin and place the cover plates (G) over the handles with the privacy hole (S) aligned and press firmly onto the inner handle rose so they finish against the door. Screw in privacy pin (T).

CUT HERE – Line (A)



FOLD HERE – Line (B)

Fold here on door edge

Tape template to door

Tape template to door

WARNING:

Check your template is printed to the correct scale by testing the measurements on this page

Suits doors 32mm to 45mm thick

Backset 60mm

(C) Mark centre -line of latch hole
(C) Mark centre -line of latch hole

38mm

(D) 6.0mm (1/4") hole

(D) 25mm (1.0") hole

Inner rose screw fixing holes
Round rose
Square rose

TEMPLATE