



# Top-Mount Sink Installation Instructions

Copyright AGUZZO®  
AGUZZO is a brand member  
of the Vanguard Design Group  
VanguardDesign.com.au  
+61(0)3 8682 8585

Follow these instructions if you are top-mounting your Aguzzo sink into a bench.

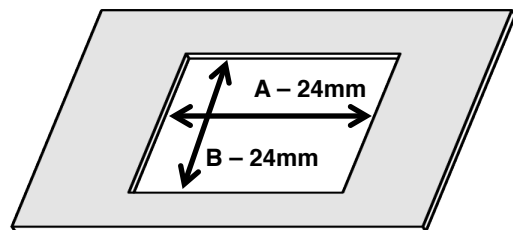
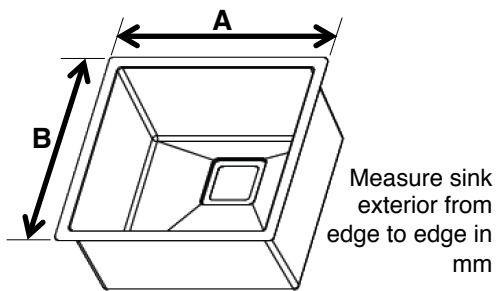
NOTE - All Aguzzo topmount sink installations use these instructions. Therefore images may differ from your sink model. Ensure your sink is in perfect condition before installation

## Installation components

Description	Quantity
A Stainless Steel Sink	1
B Box of installation anchor clips	1
C Foam adhesive strip	1

### Step 1 – Preparing Benchtop

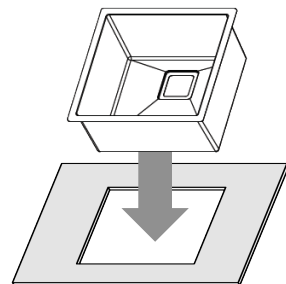
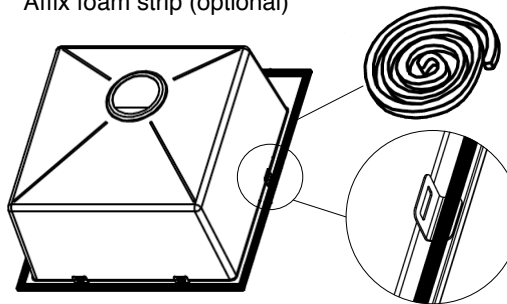
A template is provided or you can create one



Cut hole in benchtop

### Step 2 – Insert Sink

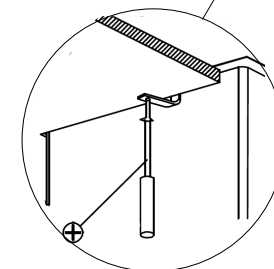
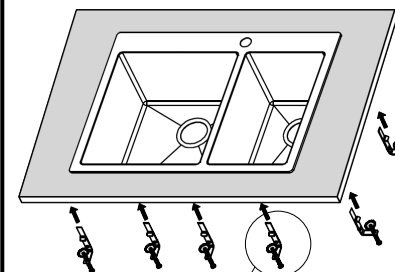
Affix foam strip (optional)



Insert sink in bench hole

### Step 3 – Affix Sink

Hook the anchor clips onto the sink's anchor points



Tighten the clips with a philips head screwdriver in the order as shown on supplied template