

PACKAGE INCLUSIONS

A x 8 4x30mm screw

B x 8 4x16mm screw

C x 2 Square aluminium pipe

D x 2 Runner OH

E x 2 Runner IH

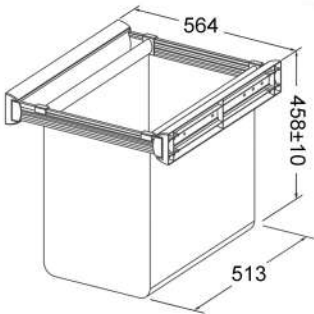
F x1 Bag / x2 Bag

TOOLS REQUIRED

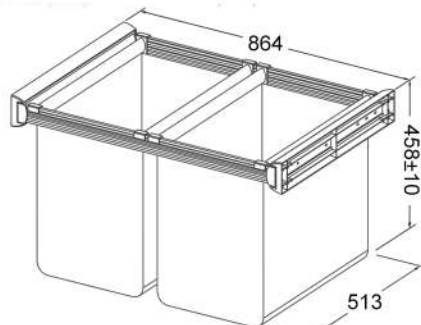


PRODUCT DIMENSIONS

maximum (mm)



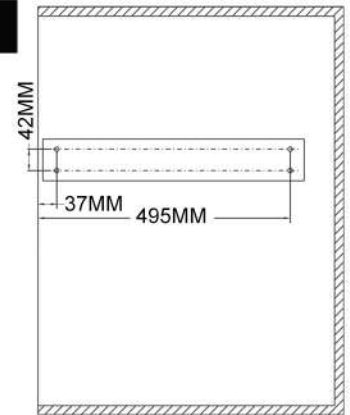
For 600mm cabinet



For 900mm cabinet

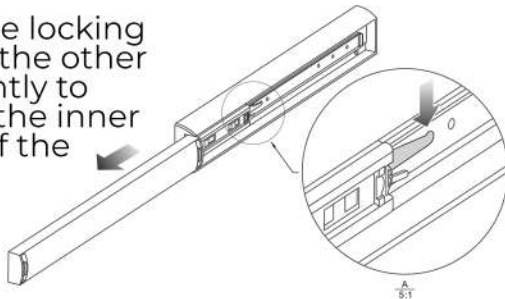
STEP 1

Mark screw positions for the runners on both cabinet sides.



STEP 2

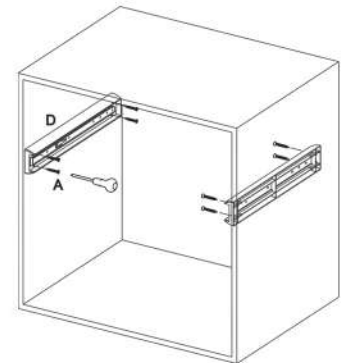
Press the locking lever to the other side gently to release the inner part E of the runner.



STEP 3

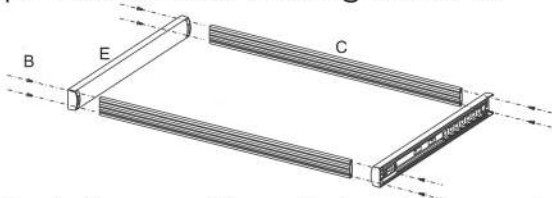
Fit runner D to cabinet sides using screw A.

Make sure to check direction and alignment first.

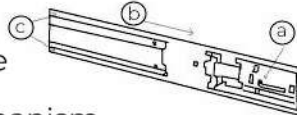


STEP 4

Assemble the square aluminum pipe C to runner E using screw B.



- Push the small handle to release and retract the soft close mechanism on runner E.
- Push the track further to expose the screw hole on the other end.
- Screw runner E to pipe C.
- Pull the small handle on the soft-close to reattach the mechanism.



STEP 5

Slide the inner runners E back to outer runner D until the locking lever securely locks the runner in place. Assemble the bags (with plastic rod and brackets provided) and place onto the frame.

