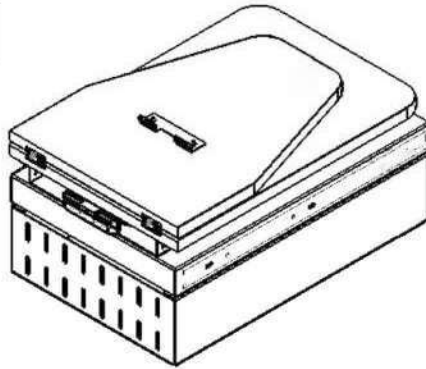


## Package inclusions

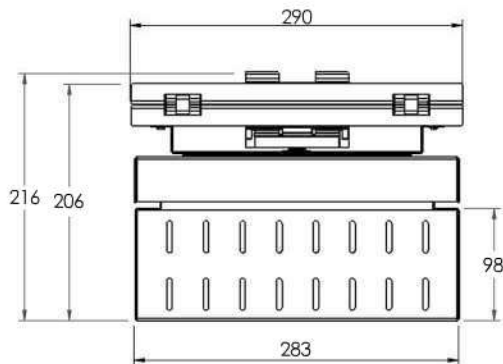


1pc rotating pull out ironing board unit

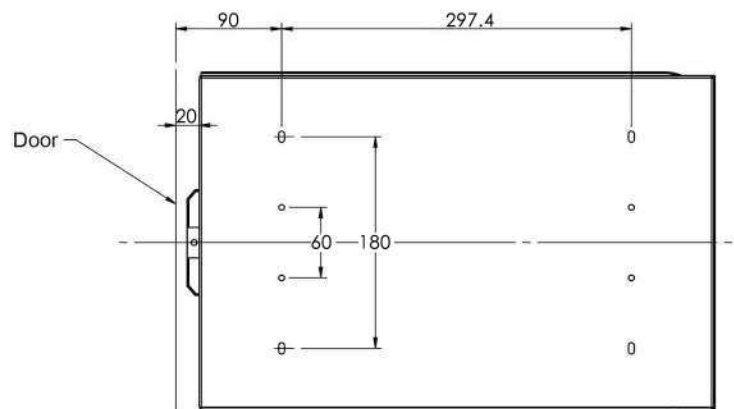


8pcs mounting screw

## Product dimensions



## Cabinet base mounting measurements



Recommended external cabinet width: Min. 400mm

## Product when fully extended

